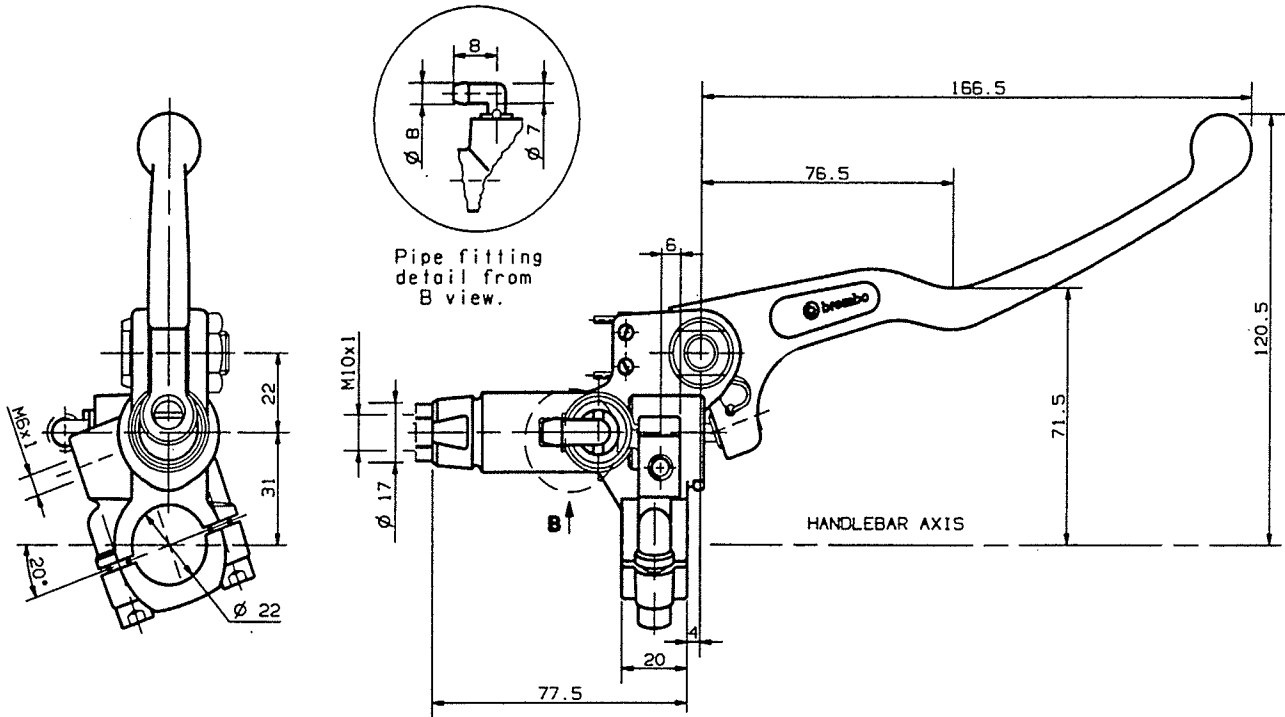




FRONT MASTER CYLINDER

PS 16

10.5053.10 D



DESCRIPTION

Front master cylinder without incorporated reservoir.
 Construction Material: Aluminium Alloy.
 Operating fluid: brake fluid DOT4.
 Pipe fitting can be oriented in the desired position.
 Microswitch.

Master cylinder BODY color: Black Anodic Oxidation.
 Master cylinder LEVER color: Black Painting.

TECHNICAL CHARACTERISTICS

Piston diameter: 16.0 mm
 Weight: 0.262 Kg

AVAILABLE SPARE PARTS

SPARE PARTS CODE	LEVER	CLAMP	PIPE FITTING	LEVER PIN	MICROSWITCH
10.5053.10	110.2706.50	110.4732.12	110.3127.20	110.2706.50	110.4418.12

Indicating informations subject to modification.
 For further specifications contact Technical Section.

LAST UPDATE: 13/10/1992